



**BOSCH**  
Invented for life

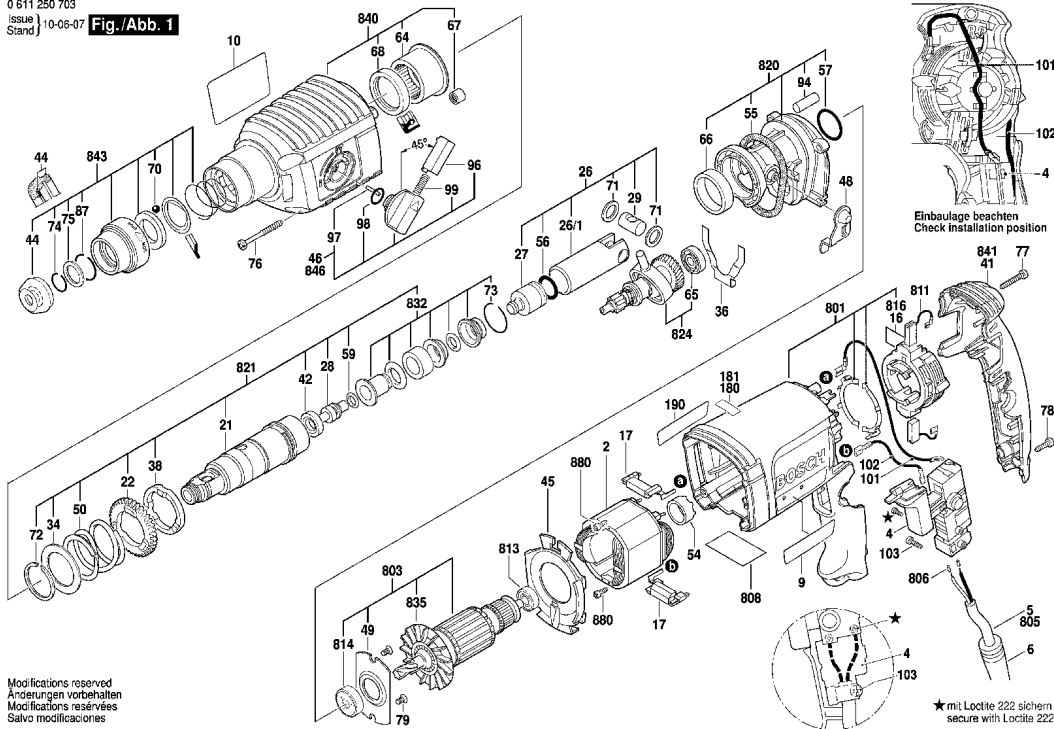
# Spare Parts Price List

GBH 2-22 RE

0 611 250 755

0 611 250 703  
Issue  
Stand } 10-08-07

Fig./Abb. 1



Modifications reserved  
Änderungen vorbehalten  
Modifications réservées  
Salvo modificaciones

POS No.	Qty	Part No.	Description	List Price (Rs.)
2	1	2604220683	Field 220-230V .	625
4	1	1617200532	Switch .	627
5	1	1614460095	Power supply cord BF	
6	1	2600703018	Grommet Ø7,3-Ø8,6x	54
9	1	1611110A77	Manufacturer's namep	
10	1	1611110A79	Reference Plate .	
17	2	1614465011	Suppression Filter .	139
21	1	1616490070	Ratchet Sleeve .	1450
22	1	1616312003	Cylindrical Gear .	177
26	1	1617000534	Hammer Piston .	555
26/1	1	1618700075	Hammer Piston .	304
27	1	1618710080	Striker .	161
28	1	1613124077	Striker Pin Ø7,5 MM .	161
29	1	1613105012	Piston Pin .	83
34	1	1610190049	Supporting Disc .	45
36	1	1601329040	Tensioning Bracket .	35
38	1	1610190045	Catch Disk .	109
41	1	1615500334	Housing Cover BLUE	186
42	1	1610422017	Thrust Ring .	89
44	1	1610508047	Protective Cap .	45
45	1	1610522012	Air-Deflector Ring .	32
46	1	1612026097	Clamp Handle BLAC	75
48	1	1601021005	Shift Plate .	35
49	1	1615700044	End Shield .	43
50	1	1604611037	Compression Spring	62
54	1	1610502012	Rubber Bushing .	19
55	1	1610290226	Seal ring 53,0x7,0 M	75
56	1	1610210187	O-Ring .	46
57	1	1610210068	O-Ring 24,0x2,5 MM	36
59	1	1610210177	O-Ring 9,0x2,0 MM .	45

POS No.	Qty	Part No.	Description	List Price (Rs.)
64	1	1610202026	Plain bearing .	109
65	1	1600900037	Deep-Groove Ball Be:	161
66	1	1610202020	Plain bearing .	45
67	1	1610910098	Needle bearing .	102
68	1	1610283017	Rotary shaft lip seal .	188
70	1	1903230013	Ball DIN 5401-Ø7MM	21
71	2	1610101011	Shim Ring 1,2 MM Th	36
72	1	1604601027	Retaining ring .	22
73	1	1614601057	Retaining ring .	21
74	1	1614601027	Retaining ring .	19
75	1	1610101629	Retaining Washer .	22
76	4	1613435022	Thread-forming tap. S	19
77	1	2603490024	Torx Oval-Head Screw	35
78	2	2603490022	Torx Oval-Head Screw	19
79	2	1613435023	Thread-forming tap. S	19
87	1	2916540012	Retaining ring DIN 78	57
94	1	1610205010	Felt Seal .	22
96	1	1612026035	Switch Button RED	35
97	1	1903201118	Needle Roller .	20
98	1	1610210046	O-Ring 10,5x2,7 MM	38
99	1	1614611006	Compression Spring	76
101	1	1614449014	Connecting Cable .	46
102	1	1614449015	Connecting Cable .	46
103	1	2603490017	Torx Oval-Head Screw	19
180	1	1611110G94	Warning Plate .	
190	1	1611110X79	Manufacturer's namep	
651	1	1613001009	Depth-Gauge SW 6x	78
691/895	2	1615438409	Lock for 1 615 438 4	145
691/895	2	1615438431	Lock for 1 615 438 4	179
801	1	1617000523	Motor Housing BLUE	1044

\* Refer Accessories Price List

w.e.f 01.04.2015